



# Modular Series

PROFESSIONAL AV MOUNTING SOLUTIONS

**peerless®**

## A History of Innovation



From the creation of the industry's first TV Mount in 1964, Peerless continues to lead the way in today's digital environments. Our drive to innovate continues with everything we do. From the very first flat panel mount, to the only precision gear projector mount, to the world's undisputed thinnest flat panel mounts, Peerless delivers form, function and innovation in every product we produce.

In addition to being at the forefront of innovation, Peerless drove the establishment of safety standards for AV mounts over a decade ago with Underwriters Laboratories (UL). Peerless mounts are designed and manufactured in our state-of-the-art facility, giving Peerless full control over production and quality.

## Why Peerless Modular Series?

Peerless constantly strives to improve the versatility and ease of use of our products, and having listened to the feedback from installers and integrators it is apparent that the market requires a product range that can fulfil multiple requirements from a minimum number of SKUs. Thus, the Modular Series has been introduced as a mounting system with just over a dozen components that combine to meet virtually any installation application.

Designed particularly for professional AV applications the Modular Series includes innovative features that reduce installation time and maximize versatility. For peace of mind all products are tested to the highest UL mounting safety standards to withstand four times the rated load capacity, and include a number of innovative features and benefits, such as incremental tilt and multiple screen options, making them the most versatile and easy to install products available.



## Solutions For Every Market



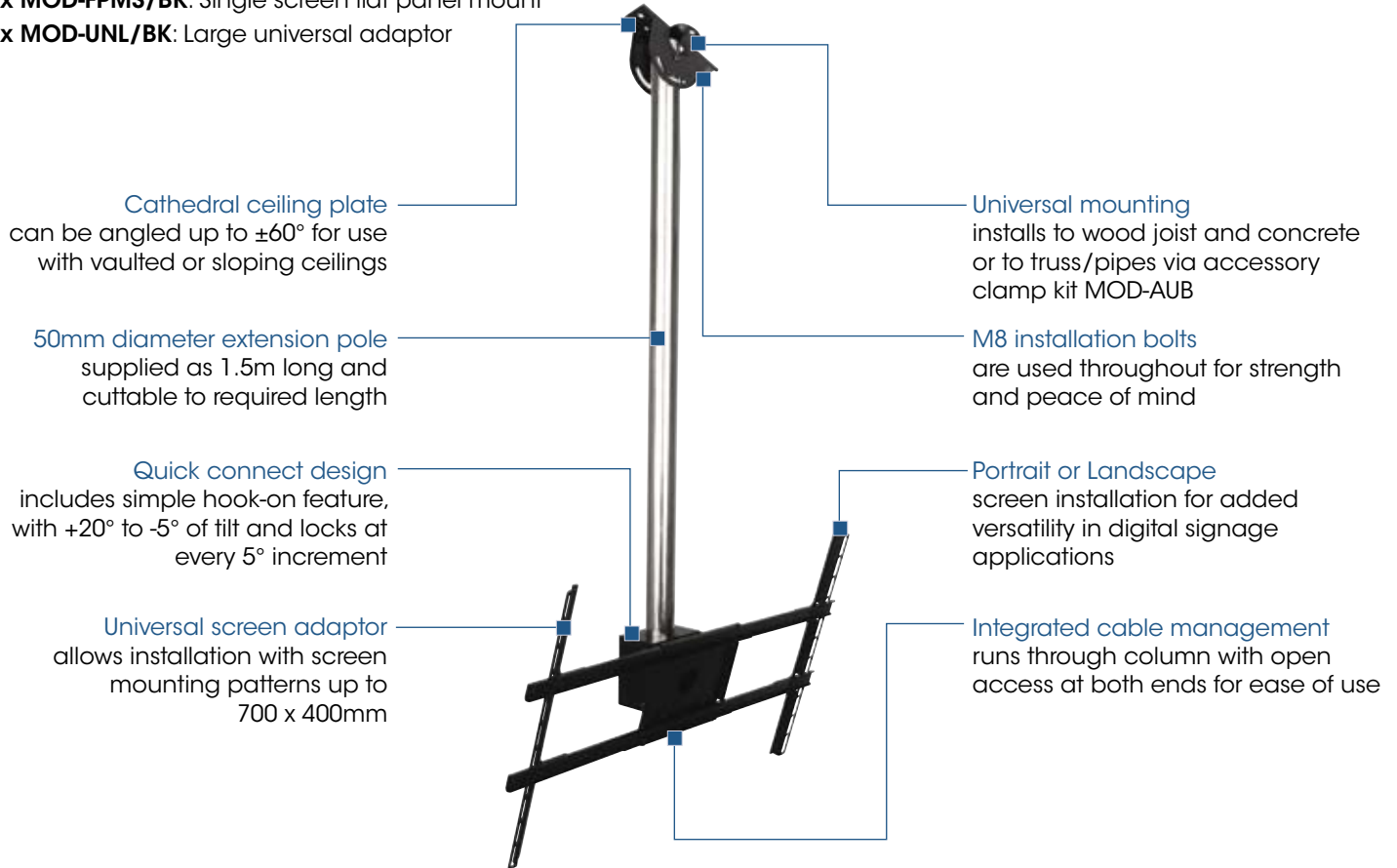
Peerless designs and manufactures innovative, professional AV mounting solutions for a wide range of vertical markets from hospitality and education applications to corporate, retail and entertainment settings to cater for every possible application. Working closely with TV manufacturers, professional installers and integrators, Peerless creates mounting solutions that are simple-to-install, offer incredible versatility and are compatible with the latest technology and trends.

Peerless is dedicated to providing simply the best AV mounting solutions, and for decades have led the industry with the highest levels of safety and quality. Today, millions of Peerless mounts are in use around the world, trusted by professional installers and relied on by consumers.

## MOD-FPSKIT150/BK 1.5m flat panel ceiling mount kit

Kit includes:

- 1 x MOD-CPC/BK: Cathedral ceiling plate
- 1 x MOD-P150/CR: 1.5m extension pole
- 1 x MOD-FPMS/BK: Single screen flat panel mount
- 1 x MOD-UNL/BK: Large universal adaptor



## MOD-PRSKIT150/BK 1.5m projector ceiling mount kit

Kit includes:

- 1 x MOD-CPC/BK: Cathedral ceiling plate
- 1 x MOD-P150/CR: 1.5m extension pole
- 1 x MOD-APRS/BK: PRS projector mount adaptor
- 1 x PRS-UNV/BK: PRS-UNV projector mount



Build the right Modular system for your requirements in **four simple stages**

From a minimum range of just over a dozen products the Peerless Modular Series is able to accommodate virtually all your AV installation needs. Simply choose the components and functionality you need and custom build a set-up that matches your overall requirements.

A host of innovative features such as multi-screen installation - with either the use of stacking two flat panel mounts or the back-to-back dual mount - and fixed incremental tilt make this the perfect option for large scale flat panel screen installations.

With a mounting solution that is designed around a 50mm diameter pole the Modular Series is perfect for new projects as well as the ideal way to improve and upgrade existing installations.

**1**

## Choose The Ceiling Plate

### Cathedral Ceiling Plate

MOD-CPC/BK (Black)



Mounts to concrete and wood joist ceilings  
**Max Weight:** 120kg (264lbs) **Tilt Angle:** +/- 60°

### Heavy Duty Flat Ceiling Plate

MOD-CPF/BK (Black)



Mounts to concrete and wood joist ceilings  
**Max Weight:** 170kg (374lbs)

### U-Bolt Accessory Kit

MOD-AUB/BK (Black)



Clamps around 40-85mm (1.5-3.3") diameter pipes, trusses, mini I-beams etc. Adapts to MOD-CPC & MOD-CPF  
**Max Weight:** 120kg (264lbs)

**2**

## Select The Pole Length

### Extension Poles

MOD-P150/CR 1.5m (59") length (Chrome) MOD-P300/CR 3.0m (118") length (Chrome)



Cuttable to desired length **Diameter:** 50.8mm (2")

### Screen-Stacking Clamp

MOD-ASC/BK (Black)



Clamps around extension pole to stack multiple single or dual back-to-back screens on single pole  
**Max Load:** 85kg (187lbs)

**3**

## Which Screen/Projector Configuration?

Screen

Projector

### Single Screen Mount

MOD-FPMS/BK (Black)



**Screen Size:** 10" to 65"  
*(depending on screen adaptor)*

**VESA Pattern:** 75/100 compliant

**Max Weight:** 100kg (220lbs)

**Tilt:** +20/-5° **Swivel:** 360°

### Back-to-Back Screen Mount

MOD-FPMD/BK (Black)



**Screen Size:** 10" to 65"  
*(depending on screen adaptor)*

**VESA Pattern:** 75/100 compliant

**Max Weight:** 170kg (374lbs)

**Tilt:** +20/-5° **Swivel:** 360°

## 4

## Required Screen Adaptor/Projector Mount

### Large Universal Adaptor

MOD-UNL/BK (Black)



**Screen Size:** 32"-60" flat panel screens

**VESA Pattern:** Up to 700x400 (WXH)

**Max Weight:** 60kg (132lbs)

### Medium Universal Adaptor

MOD-UNM/BK (Black)



**Screen Size:** 26"-46" LCD screens

**VESA Pattern:** Up to 450x400 (WXH)

**Max Weight:** 60kg (132lbs)

### Security Fastener Pack for Screen Mount

ACC-918/BK (Black)



For use with MOD-FPMS & MOD-FPMD

**Screen Size:** 10"-24" LCD screens

**VESA Pattern:** Compatible with VESA

75/100 mounting pattern

### VESA 200x100 Adaptor

ACC-V2x1 /BK (Black)



For use with MOD-FPMS & MOD-FPMD

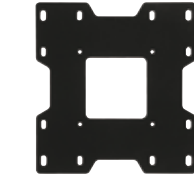
**Screen Size:** Up to 26"

**VESA Pattern:** 200x100

**Max Weight:** 30kg (66lbs)

### VESA 200x200 Adaptor

ACC-V2x2/BK (Black)



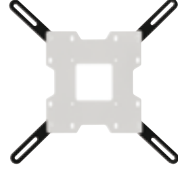
**Screen Size:** Up to 37"

**VESA Pattern:** 200x200, 200x100

**Max Weight:** 30kg (66lbs)

### VESA 400x300 Adaptor

ACC-V4x3/BK (Black)



For use with ACC-V2x2 mounting plate

**Screen Size:** Up to 37"

**VESA Pattern:** 300x200, 300x300, 400x200, 400x300, up to M6 screws

**Max Weight:** 30kg (66lbs)

### Projector Mount Adaptor

MOD-APRS/BK (Black)



PRS & PSMU projector mount adaptor

**Max Weight:** 30kg (66lbs)

### Projector Mount Adaptor

MOD-APRG/BK (Black)



PRG projector mount adaptor

**Max Weight:** 30kg (66lbs)

### PRS Projector Mount

PRS-UNV/BK (Black)



Also available in Silver (/S) and White (/WH)

**Mounting Pattern:** Universal

(up to 448mm)

**Max Weight:** 11kg (25lbs)

**Tilt:** +20/-5° **Swivel:** 360° **Roll:** ±10°

### PRG Projector Mount

PRG-UNV/BK (Black)



Also available in silver (/S) and White (/WH)

**Mounting Pattern:** Universal

(up to 448mm)

**Max Weight:** 23kg (50lbs)

**Tilt:** +20° **Swivel:** 360° **Roll:** ±10°

### Security Mount

PSMU-PRS/BK (Black)



Also available in White (/WH)

**Mounting Pattern:** Universal tray

pattern up to 330x280mm (12.5'x11')

**Max Weight:** 11kg (25lbs)

**Tilt:** +20/-5° **Swivel:** 360° **Roll:** ±10°

### Projector Enclosure

PE1120/BK (Black)

Also available in White (/WH)



Secures and protects virtually any projector and mount up to 508x508x280mm (20"x20"x11") (WxDxH)

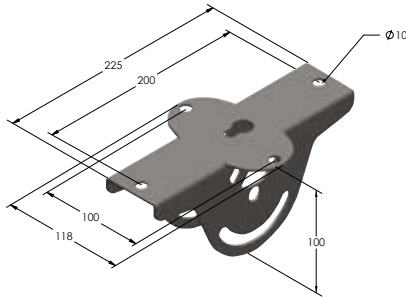
For more information contact the Peerless-AV sales team or visit [www.peerless-av.co.uk](http://www.peerless-av.co.uk) to see the full range of innovative mounting solutions. Other colours and finishes are available as special orders on request, and should these products not fulfill your requirements please contact your Area Sales Manager or the Peerless-AV Sales Office on - **01923 200 100** / email: [sales@peerless-av.co.uk](mailto:sales@peerless-av.co.uk) - to discuss bespoke solutions.

# Technical specifications

## Cathedral ceiling plate

MOD-CPC/BK (Black)

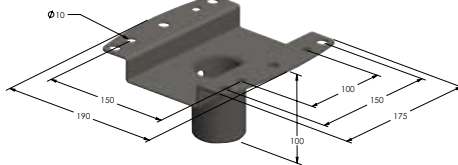
- Mounts to concrete and wood joist ceilings
- 120kg (264lbs) max weight capacity
- +/- 60° tilt angle



## Heavy duty flat ceiling plate

MOD-CPF/BK (Black)

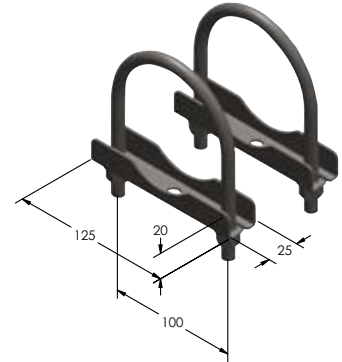
- Mounts to concrete & wood joist ceilings
- 170kg (374lbs) max weight capacity



## U-Bolt accessory

MOD-AUB/BK (Black)

- Adapts to MOD-CPC & MOD-CPF ceiling plates
- Clamps around 40-85mm (1.5-3.3") diameter pipes, trusses, mini I-beams, etc
- 120kg (264lbs) max weight capacity



## Extension Poles

MOD-P150/CR - 1.5m (59") pole (Chrome)

MOD-P300/CR - 3.0m (118") pole (Chrome)

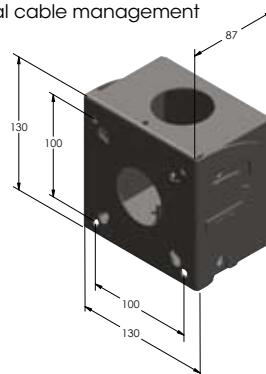
- 50.8mm (2") diameter pole
- Cuttable to desired length
- Polished durable chrome finish
- Standard 1.5m or 3m lengths
- Other bespoke lengths and finishes available



## Single screen mount

MOD-FPMS/BK (Black)

- For 10"-65" flat panel screens\*
- 100kg (220lbs) max weight capacity
- +20/-5° tilt lockable in 5° increments
- 360° rotation
- Internal cable management

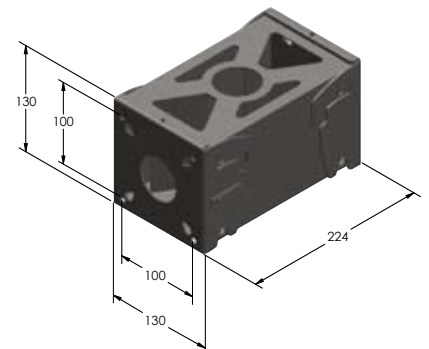


\* May require universal or VESA adaptor for screen compatibility

## Dual screen mount

MOD-FPMD/BK (Black)

- For 10"-65" back-to-back flat panel screens\*
- 170kg (374lbs) max weight capacity
- +20/-5° tilt lockable in 5° increments
- 360° rotation
- Internal cable management

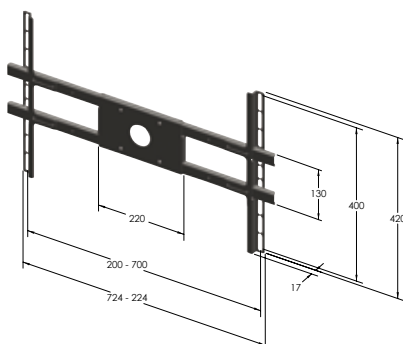


\* May require universal or VESA adaptor for screen compatibility

## Large universal adaptor

MOD-UNL/BK (Black)

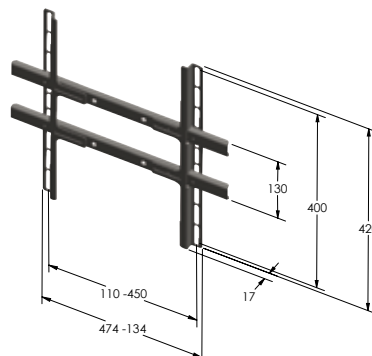
- For 32"-60" flat panel screens
- Expands from 200 to 700mm wide
- Compatible up to VESA 700 x 400
- 60kg (132lbs) max weight capacity



## Medium universal adaptor

MOD-UNM/BK (Black)

- For 26"-46" flat panel screens
- Expands from 110 to 450mm wide
- Compatible up to VESA 450 x 400
- 60kg (132lbs) max weight capacity



## Security Fastener pack

ACC-918

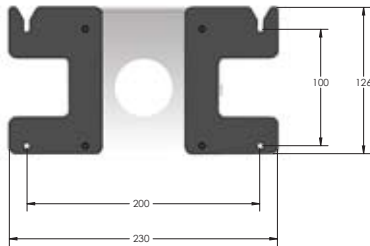
- For use with MOD-FPMS & MOD-FPMD
- For 10"-24" LCD screens
- VESA 100 Security fastener kit
- Compatible with VESA 75/100 mounting pattern



## VESA 200x100 adaptor

ACC-V2x1/BK (Black)

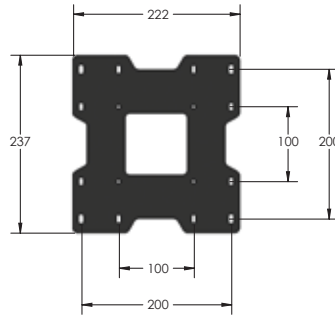
- For use with MOD-FPMS & MOD-FPMD
- For up to 26" LCD screens
- Compatible with VESA 200x100
- 30kg (66lbs) max weight capacity



## VESA 200x200 adaptor

ACC-V2x2/BK (Black)

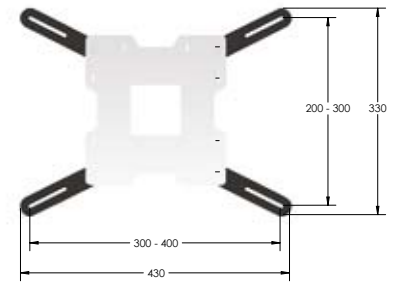
- For up to 37" LCD screens
- Compatible with VESA 200x200, 200x100
- 30kg (66lbs) max weight capacity



## VESA 400x300 adaptor

ACC-V4x3/BK (Black)

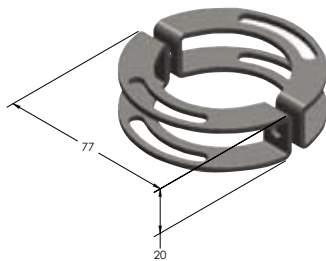
- For use with ACC-V2x2 VESA 200x200 Adaptor
- For up to 37" LCD screens
- Compatible with VESA 300x200, 300x300, 400x200, 400x300, up to M6 screws
- 30kg (66lbs) max weight capacity



## Screen-Stacking clamp

MOD-ASC/BK (Black)

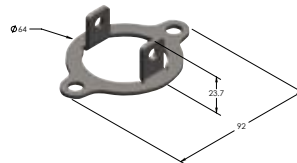
- Clamps around extension pole to stack multiple single or dual back-to-back screens on single pole
- Secondary safety screw provided to secure mount into place
- 85kg (187lbs) max weight capacity



## Projector mount adaptors

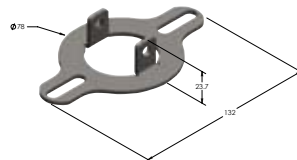
MOD-APRS/BK (Black)

- PRS & PSMU projector mount adaptor
- 30kg (66lbs) max weight capacity



MOD-APRG/BK (Black)

- PRG projector mount adaptor
- 30kg (66lbs) max weight capacity



## Precision Gear projector mount

PRG-UNV/BK (Black)

Also available in Silver (/SI) and White (/WH)

- Precision gear-driven tilt and roll adjustments
- Gears lockable to deter tampering
- Quick release for fast installation and maintenance
- Universal mounting pattern (up to 448mm)
- 23kg (50lbs) max weight capacity
- Tilt: +20° Swivel: 360° Roll: ±10°
- Flush mountable or drop mount using extension pole and ceiling plate

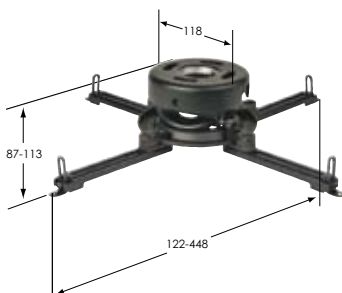


## PRS projector mount

PRS-UNV/BK (Black)

Also available in Silver (/SI) and White (/WH)

- Independent and secure adjustment points
- Quick-release for fast adjustment and maintenance
- Universal mounting pattern (up to 448mm)
- 11kg (25lbs) max weight capacity
- Tilt: +20/-5° Swivel: 360° Roll: ±10°
- Flush mountable or drop mount using extension pole and ceiling plate



## Security projector mount

PSMU-PRS/BK (Black)

Also available in White (/WH)

- Two-piece tray with key lock and security screws for dual-level theft protection
- PRS mount adjustment functionality
- Mounting Pattern: Universal tray pattern
- 11kg (25lbs) max weight capacity
- Tilt: +20/-5° Swivel: 360° Roll: +/-10°
- Flush mountable or drop mount using extension pole and ceiling plate

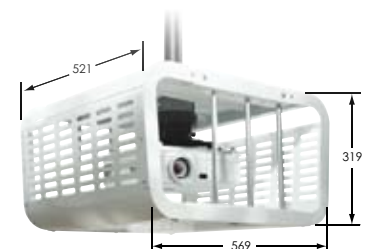


## Projector enclosure

PE1 120/BK (Black)

Also available in White (/WH)

- Secures and protects virtually any projector and mount up to 508 x 508 x 280mm (20"x20"x11") (WxDxH)
- Security screws provided
- Compatible with padlock
- Adjustable solid steel bars for added theft protection
- Flush mountable or drop mount using extension pole or ceiling plate





## If you can imagine it, we can create it with Peerless Custom Mounting Solutions

Peerless CMS places the resources of the industry leader in custom mounting solutions at your disposal. Whether your requirement is a simple modification to a standard Peerless product or a large scale, fully bespoke installation, Peerless CMS has the experience, know-how and facilities to make your solution a reality.

Special customer requests are the very reason why Peerless CMS exists. Through our customer focused D<sup>3</sup> process - Design, Develop and Deploy, we work with you from creating the initial concept through to the installation of your solution.

We offer highly trained teams of professionals who not only understand AV mounts, but also are experienced at serving your markets. They are backed by over 40 years of experience.

Peerless is driven by the challenge of unique customer requirements. We have a long history of creating

innovative solutions in every professional market - from hotels, restaurants, retail stores, hospitals, stadiums, pubs and clubs, schools and universities, we are ready to help you.

So if the mounting solution you require is not available in this brochure then please do not hesitate to contact us today to take advantage of this bespoke service.



Unit 3, Colonial Way  
Watford, Hertfordshire,  
WD24 4WP, United Kingdom  
**T:** 01923 200 100  
**F:** 01923 200 101  
**E:** [info@peerless-av.co.uk](mailto:info@peerless-av.co.uk)  
**W:** [www.peerless-av.co.uk](http://www.peerless-av.co.uk)



Unit 3, Colonial Way  
Watford, Hertfordshire,  
WD24 4WP, United Kingdom  
**T:** +44 (0) 1923 200 100  
**F:** +44 (0) 1923 200 101  
**E:** [info@peerless-av.eu.com](mailto:info@peerless-av.eu.com)  
**W:** [www.peerless-av.eu.com](http://www.peerless-av.eu.com)